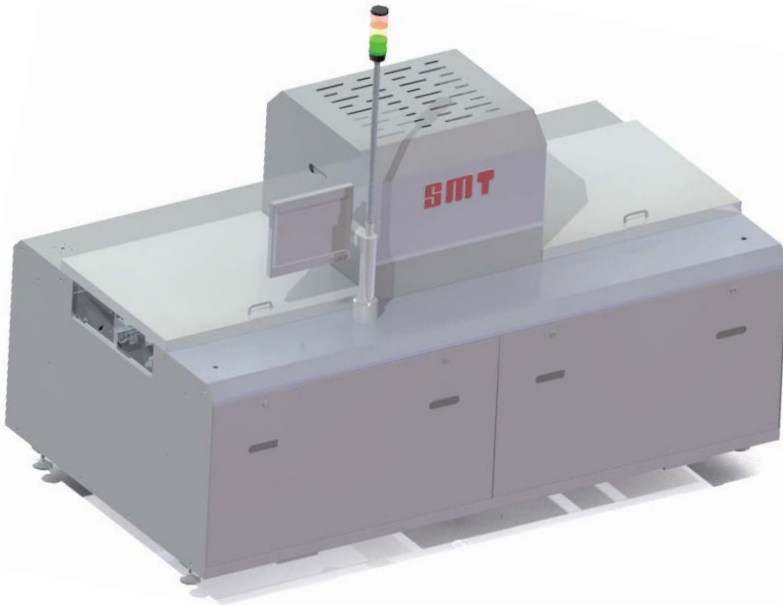
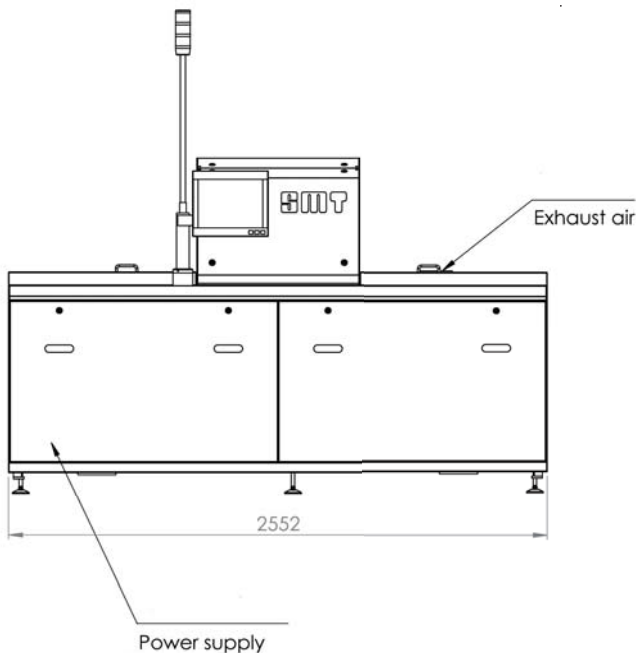


UV Conformal Coating System SMT UV



For all users who use UV-cured coatings with a completely new generation of systems with which a major step forward has been taken with regard to quality, service life and cost minimisation.

The heart of the system is a completely new UV light source, which is not only outstanding because of its extremely long service life but also achieves a consistent performance level over the entire usage cycle. SMT therefore achieves totally consistent results over the entire usage period of the light source.



Subject to change without notice, 05/11/2009

UV Conformal Coating System SMT UV

The modular, variable machine design for UV-curing of ready mounted control units or PCB with extended pass through height. Short, compact machine design depending on pass through height due to avoid too much emission at in- and outlet openings. All mechanical and electrical components, the control unit, the conveyor system etc. are well known from our market proven reflow systems.

To all users of UV conformal coatings, this means:

- complete process reliability over a long production period
- lifetime of UV light source > 6,000 hours
- Start-up-time < 1 minute
- No expenditure maintenance (no checking and readjusting of the UV light source)
- Fully integrated into SMT machine data system (management data system and MES)
- Significantly lower costs.

Technical Data SMT UV

External dimensions

Length:	2552 mm
Width:	1435 mm
Height (in delivery condition, incl. warning light): ^{1.)}	1512 mm / 2218 mm
Inlet height, adjustable by customer: ^{1.)}	830 ... 1030 ±20 mm

Weight	approx. 900 kg
---------------	----------------

Transport chain conveyor

Usable working with 1 UV-light source (2 UV-light sources / 3 UV-light sources):	10 ... 150 mm (300 mm / 450 mm)
Pass through height (top/bottom):	70/70 mm

Conveyor speed	0.2 ... 3.0 m/min.
-----------------------	--------------------

Extraction ^{2.)}

Suction pipe:	1 x Ø 153 mm
Required exhaust air at pipe:	approx. 600 ... 800 m ³ /h
Temperature of exhaust air at the pipe:	< 50 °C

Continous sound pressure level	< 70 dB(A)
---------------------------------------	------------

Control unit	CDIAS with RT 7
---------------------	-----------------

Power supply

Connecting power supply:	3~N, PE 230 / 400 V, 50 Hz
Max. current consumption per phase:	20 A
Power consumption during start-up, 1 UV light source (2 UV / 3 UV):	4 kW (8 kW / 12 kW)
Power consumption steady state condition, 1 UV light source (2 UV / 3 UV):	approx. 4 kW (8 kW / 12 kW)

1.) Standard height 830 mm; corresponding to a changed inlet height the other heights of the reflow system are changing

2.) Connection of a flexible, heat resisting (at least 100 °C) hose (available by SMT) or tube, The waste air exhausting unit width adjustable throttle valve mounted after the suction sleeves has to be installed by the user

